



## HORIZONTAL UNIVERSAL MANUAL SCREW EXTRUDER

Standard: BS 598:107/1377:4/1924:2,  
ASTM D698/D1587/D1883

### Extruding Soil Samples

The hand operated unit extrudes samples from Ø 38 to Ø 150 mm with maximum stroke of 650 mm.

### Technical Specifications :

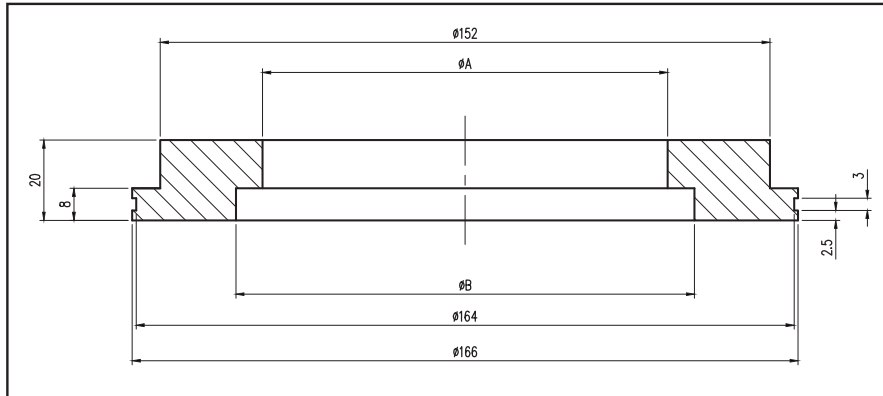
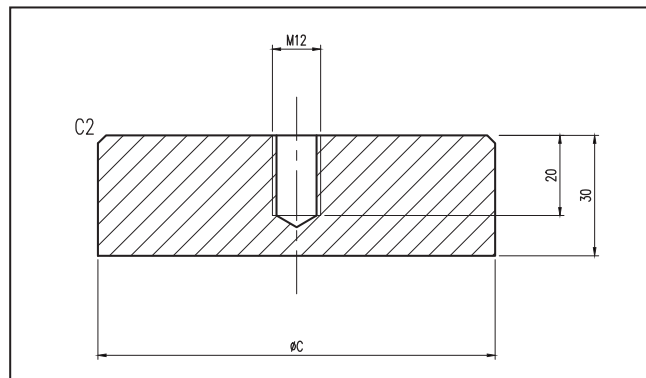
Model Number	NL 5046 X / 001
Dimension (mm)	1700 (L) x 700 (W) x 1200 (H)
Max. Stroke	680 mm (L)
Approx. Weight	121 kg

### Set Consists Of :

Model Number	Parts Description	Qty
NL 5046 X / 001 – P 001	Sample Extrusion Kit Set Ø 38 mm	1 set
NL 5046 X / 001 – P 002	Sample Extrusion Kit Set Ø 50 mm	1 set
NL 5046 X / 001 – P 003	Sample Extrusion Kit Set Ø 100 mm (Proctor)	1 set
NL 5046 X / 001 – P 004	Sample Extrusion Kit Set Ø 150 mm (CBR)	1 set

### Optional Accessories :

Model Number	Accessories Description
NL 5046 X / 001 – A 001	U4 Tube Sample Extrusion Kit Set
NL 5046 X / 001 – A 002	U3 Tube Sample Extrusion Kit Set
NL 5046 X / 001 – A 003	U2 1/2 Tube Sample Extrusion Kit Set
NL 5046 X / 001 – A 004	U2 Tube Sample Extrusion Kit Set


**Retaining Ring**

**Plunger**

Sample Extrusion Kit Set					
Model	Sample Tube Size	ØA (mm)	ØB (mm)	ØC (mm)	Qty
NL 5046 X / 001 – P001	38 Dia.	38.1	42.5	35.5	1
NL 5046 X / 001 – P002	50 Dia.	50.8	55	47.5	1
NL 5046 X / 001 – P003	100 Dia.	101.6	114.5	97.5	1
NL 5046 X / 001 – P004	150 Dia.	-	-	147.5	1
Optional Accessories					
NL 5046 X / 001 – A001	U4 (105.3 Dia.)	105.5	114.5	102.5	1
NL 5046 X / 001 – A002	U3 (73.2 / 73.8 Dia.)	74	76.5	71.5	1
NL 5046 X / 001 – A003	U2 1/2 (61.1 Dia.)	61.5	64	58.5	1
NL 5046 X / 001 – A004	U2 (57 Dia.)	57.5	60.5	54.5	1
CUSTOMIZE	70 Dia.	70	73.5	67.5	1