

ECO-SMARTZ AUTOMATIC TOUCH SCREEN FLEXURAL MACHINE

Standard: EN 12390-5, ASTM C78 & C293

Flexural Test

Our flexural frame has been designed to achieved minimum deflection at maximum pressures resulting in very high accuracy. Overall structure are rigid & compact. Using DC motor for more durability, low noise pollution, low oil temperature & low power consumption.

Touch Screen Smartz Controller V 1.1

Clear, easy to read, sensitive & large LCD touch screen display of 155mm(W) x 85 mm(H)

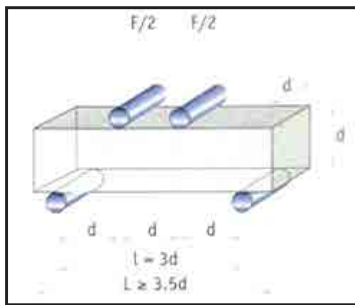
Maximum force hold facility with real time Force vs Time graph display.

User input test number, age, weight & density for complete sample information.

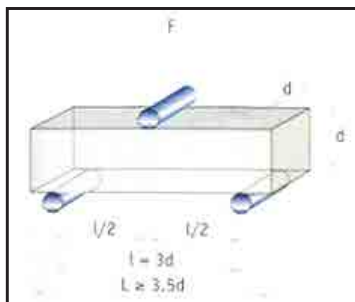
Real time speed indicator bar for better current speed reference for better control

Manual loading & conditional automatic loading for compression machines with suitable DC motor control system.

Automatic conversion from kN to Mpa according to the chosen sample types.



Two Point Loading



Centre Point Loading

Technical Specifications :

Model Number	NL 4008 X / 003	NL 4008 X / 004
Max. Capacity	100 kN x 0.1 kN Sensitivity	250 kN x 0.1 kN Sensitivity
Load Sensor Capacity	30 kPa	50 kPa
Roller Size (mm)	38 Dia. x 160 mm Lg.	
Max. Vertical Clearance	165 mm	
Max. Horizontal Clearance	160 mm	
Max. Piston Travel	80 mm	
Distance Between Upper Roller	100 - 260 mm or Single	
Distance Between Lower Roller	160 - 750 mm	
Frame Dimension	300 (L) x 340 (W) x 1108 (H)	
Consol Unit Dimension	350 (L) x 400 (W) x 1158 (H) mm	
Approx. Product Weight	261 kg	260 kg
Power	220 V, 2.5 Amp, 1/2 ph, 50 / 60 Hz	

*1 Copy of Manual Instruction

Unit Consists Of :

Model Number	Parts Description	Qty
NL DCC – 2K	DC Power Control Console	1no.
NL 4008 X / 001 – P 002	100 / 250 kN Hydraulic Flexural Frame	1no.

